

**GLOBEPHAROS**



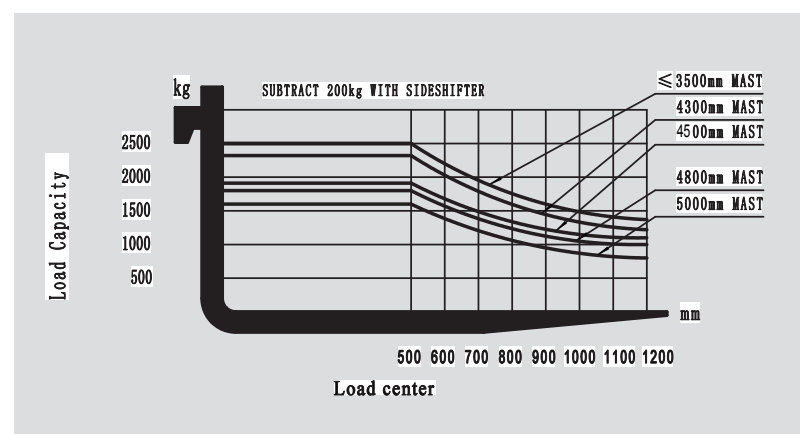
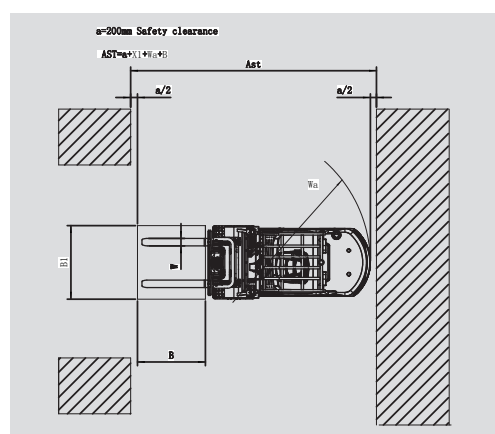
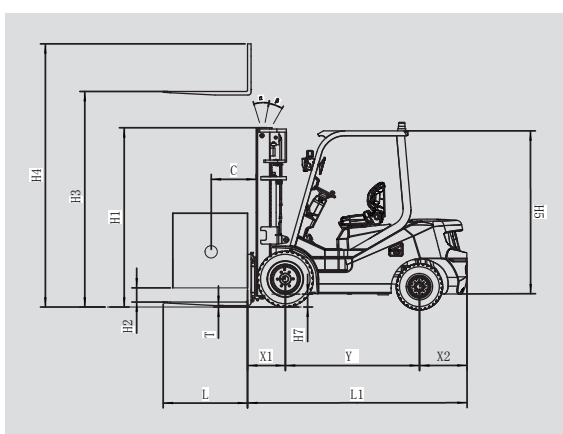
**GP20-25**

**Diesel Forklift**



**MAIN SPECIFICATIONS**

		GP20-JBN		GP25-JBN	
		(FD20-JB)		(GP25-JB)	
General	1 Model				
	2 Power Type		Diesel		
	3 Rated Load Capacity	Q(kg)	2000		2500
	4 Load Centre	C(mm)	500		
Characteristic & Dimension	5 Rated Lift Height	H3(mm)	3000		
	6 Free Lift Height	H2(mm)	100		
	7 Fork Size (L×W×T)	mm	1070×120×40		
	8 Mast Tilt Angle (F/R, $\alpha^\circ / \beta^\circ$ )	deg	6°/12°		
	9 Fork Overhang (Wheel Center to Fork Face)	X1(mm)	479		
	10 Rear Overhang	X2(mm)	520		
	11 Ground Clearance (Bottom of Mast)	H7(mm)	130		
	12 Length to Face of Fork (Without Fork)	L1(mm)	2660		
	13 Overall Width	B1(mm)	1150		
	14 Mast Lowered Height	H1(mm)	2055		
	15 Mast Extended Height (With Backrest)	H4(mm)	4070		
	16 Overhead Guard Height	H5(mm)	2215		
	17 Turning Radius (Outside)	Wa(mm)	2365		
	18 Min.Aisle width for pallets	Ast(mm)	4120		
Performance	19 Travel Speed (No Load)	km/h	19		
	20 Lifting Speed (Full Load)	mm/sec	490		
	21 Max.Gradeability (Full Load)	%	20		
	22 Wheelbase	Y(mm)	1650		
	23 Tyre (Front x 2)	mm	7.00-12-12PR		
	24 Tyre (Rear x 2)	mm	6.00-9-10PR		
Weight	25 Total Weight	kg	3385		3605
	26 Front Axle Weight Distribution (Full Load/No Load)	kg	4846/1354		5494/1442
	27 Rear Axle Weight Distribution (Full Load/No Load)	kg	538/2031		610/2163
Power & Transmission	28 Battery	V/Ah	12/90		
	29 Engine Model		C240NKFC-01(Eu III)		
	30 Engine Manufacturer		ISUZU		
	31 Rated Output / r.p.m.	kw	34.5/2500		
	32 Transmission Type		Powershift(Manual)		
	33 Transmission Stage (FWD/RVS)		1/1(2/2)		
	34 Operating Pressure (For Attachments)	Mpa	17.5		



GlobePharos For Engineering & Machinery  
No 11, Agiou Georgiou, Engomi, 2411, Nicosia-Cyprus  
Tel: +357-22875790

www.globepharos.com

E-mail: awadalla@Cytanet.com.cy

\*GlobePharos retains the right to adjust the specification and configurations to improve the performance without notice, please contact us to get the newest information.