

GLOBEPHAROS



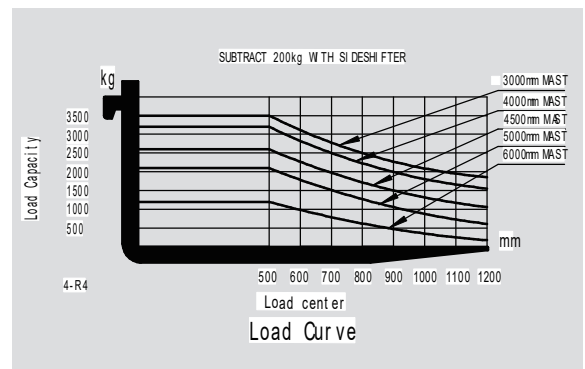
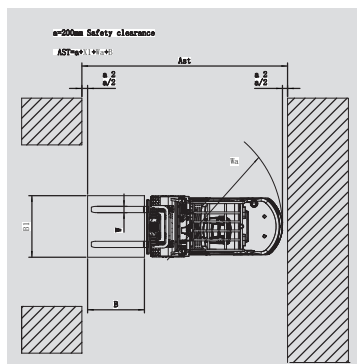
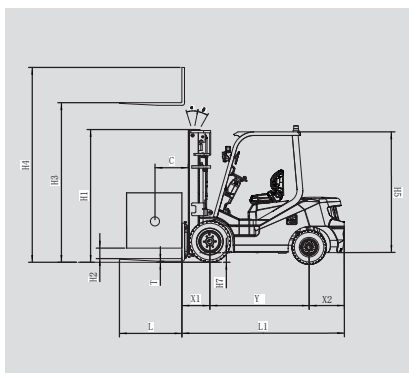
GP30-35

Diesel Forklift

CE
CE CERTIFICATE

MAIN SPECIFICATIONS

	No	Description	GP30-JBN		GP35-JBN	
General	1	Model		GP30-JBN		GP35-JBN
	2	Power Type		Diesel		
	3	Rated Load Capacity	Q(kg)	3000		3500
	4	Load Centre	C(mm)	500		
Characteristic & Dimension	5	Rated Lift Height	H3(mm)	3000		
	6	Free Lift Height	H2(mm)	100		
	7	Fork Size (L×W×T)	mm	1070×125×45		
	8	Mast Tilt Angle (F/R, α°/β°)	deg	6°/12°		
	9	Fork Overhang (Wheel Center to Fork Face)	X1(mm)	484		
	10	Rear Overhang	X2(mm)	595		635
	11	Ground Clearance (Bottom of Mast)	H7(mm)	145		
	12	Length to Face of Fork (Without Fork)	L1(mm)	2700		2775
	13	Overall Width	B1(mm)	1225		
	14	Mast Lowered Height	H1(mm)	2070		
	15	Mast Extended Height (With Backrest)	H4(mm)	4070		
	16	Overhead Guard Height	H5(mm)	2235		
	17	Turning Radius (Outside)	Wa(mm)	2425		2500
	18	Min.Aisle width for pallets	Ast(mm)	4180		4255
Performance	19	Travel Speed (No Load)	km/h	19		
	20	Lifting Speed (Full Load)	mm/sec	410		380
	21	Max.Gradeability (Full Load)	%	20		
	22	Wheelbase	Y(mm)	1700		
	23	Tyre (Front x 2)	mm	28×9-15-12PR		
	24	Tyre (Rear x 2)	mm	6.50-10-10PR		
Weight	25	Total Weight	kg	4460		4775
	26	Front Axle Weight Distribution (Full Load/No Load)	kg	6714/1784		6997/1910
	27	Rear Axle Weight Distribution (Full Load/No Load)	kg	746/2676		777/2865
Power & Transmission	28	Battery	V/Ah	12/90		
	29	Engine Model		C240 Eu(III)		
	30	Engine Manufacturer		ISUZU		
	31	Rated Output / r.p.m.	kw	35.4/2500		
	32	Transmission Type		Powershift (Manual)		
	33	Operating Pressure (For Attachments)	Mpa	17.5		



* GlobePharos retains the right to adjust the specification and configurations to improve the performance without notice, please contact us to get the newest information.

GlobePharos For Engineering & Machinery
No 11, Agiou Georgiou, Engomi, 2411, Nicosia-Cyprus
Tel: +357-22875790

www.globepharos.com E-mail: awadalla@Cytanet.com.cy